

# REPLACEMENT PARTS LIST

**Notes:** \*Important safety notice:

 Components identified by  $\Delta$  mark have special characteristics important for safety.

Furthermore, special parts which have purposes of fire-retardant (resistors), high-quality sound (capacitors), low-noise (resistors), etc. are used.

When replacing any of components, be sure to use only manufacturer's specified parts shown in the parts list.

\*The parenthesized indications in the Remarks columns specify the areas. (Refer to the cover page for area.)

Parts without these indications can be used for all areas.

| Ref. No.  | Part No.     | Part Name & Description | Remarks      | Ref. No.   | Part No.     | Part Name & Description   | Remarks                  |
|-----------|--------------|-------------------------|--------------|------------|--------------|---------------------------|--------------------------|
|           |              | INTEGRATED CIRCUIT(S)   |              | D503, 504  | MA4160M      | DIODE                     | $\Delta$                 |
| IC101     | AN6558F      | I. C. PHONO EQ. AMP.    |              | D505       | MA165        | DIODE                     |                          |
| IC201     | TC9163N      | I. C. INPUT SELECTOR    |              | D506       | 1SS291TA     | DIODE                     |                          |
| IC301     | UPC4570C     | I. C. TONE AMP.         |              | D602       | LN014304P    | LED                       |                          |
| IC401     | AN7062N      | I. C. VOLTAGE AMP.      |              | D603       | LN018304P    | LED                       |                          |
| IC402     | RSN6000A     | I. C. V-AMP.            |              | D605       | MA4120       | DIODE                     | (EB, EO, GC)             |
| IC501     | SV13205B     | I. C. POWER AMP.        | $\Delta$     | D608       | MA165        | DIODE                     | (EB, EO, GC)             |
| IC601     | M5218AP      | I. C. MOTOR DRIVE       | (EB, EO, GC) | D610       | MA165        | DIODE                     | (EB, EO, GC)             |
| IC801     | M37470M2215S | I. C. MICRO COMPUTER    |              | D611, 612  | MA167        | DIODE                     | (EB, EO, GC)             |
| IC802     | MN1381STA    | I. C. RESET             |              | D701-704   | P300DLF      | DIODE                     | $\Delta$                 |
| IC803     | TC74HC42AP   | I. C. LED DRIVE         |              | D705       | 1SR35200TB   | DIODE                     | $\Delta$                 |
|           |              | TRANSISTOR(S)           |              | D706       | MA165        | DIODE                     |                          |
| Q401, 402 | 2SA1123RSTTA | TRANSISTOR              |              | D709       | MA165        | DIODE                     | $\Delta$                 |
| Q451, 452 | 2SC2631RSTTA | TRANSISTOR              |              | D751       | MA4160M      | DIODE                     | $\Delta$                 |
| Q453, 454 | 2SC3311A-Q   | TRANSISTOR              |              | D752, 753  | MA4082MTA    | DIODE                     | $\Delta$                 |
| Q455, 456 | 2SA1309A-R   | TRANSISTOR              |              | D801, 802  | LN018304P    | LED                       |                          |
| Q501-503  | 2SA992EFPTA  | TRANSISTOR              |              | D804-809   | LN018304P    | LED                       |                          |
| Q601      | 2SD592ANCQ   | TRANSISTOR              | (EB, EO, GC) | D812-814   | MA165        | DIODE                     |                          |
| Q605, 606 | 2SC3311A-Q   | TRANSISTOR              | (EB, EO, GC) | D815       | 1SS291TA     | DIODE                     |                          |
| Q607      | UN4111       | TRANSISTOR              | (EB, EO, GC) | D816       | MA4068L      | DIODE                     | $\Delta$                 |
| Q608      | UN4211       | TRANSISTOR              | (EB, EO, GC) | D817       | MA165        | DIODE                     |                          |
| Q701      | 2SA992EFPTA  | TRANSISTOR              |              | D822, 823  | LN014304P    | LED                       |                          |
| Q801-804  | UN4111       | TRANSISTOR              |              | D824       | LN018304P    | LED                       |                          |
| Q806-809  | UN4211       | TRANSISTOR              |              | D825-828   | MA165        | DIODE                     |                          |
| Q811, 812 | UN4211       | TRANSISTOR              |              | D829       | MA700        | DIODE                     |                          |
| Q813, 814 | UN4111       | TRANSISTOR              |              | D830-832   | MA165        | DIODE                     |                          |
| Q815, 816 | UN4211       | TRANSISTOR              |              |            |              | VARIABLE RESISTOR(S)      |                          |
| Q817      | 2SC3311A-Q   | TRANSISTOR              |              | VR201      | RRV16B04B15A | V. R. MAIN VOLUME CONTROL |                          |
| Q818      | 2SD2037DEFTA | TRANSISTOR              | $\Delta$     | VR202      | EVJ02QF04G15 | V. R. BALANCE             |                          |
| Q819-821  | UN4211       | TRANSISTOR              |              | VR301, 302 | EVJYA1F04C15 | V. R. BASS/TREBLE CONTROL |                          |
| Q822, 823 | UN4111       | TRANSISTOR              |              |            |              | THERMISTOR(S)             |                          |
| Q824, 825 | 2SK301QRS    | TRANSISTOR              |              | TH201, 202 | ERTD2ZHL104T | THERMISTOR                |                          |
| Q826      | 2SA933QRSTA  | TRANSISTOR              |              |            |              | COIL(S)                   |                          |
|           |              | DIODE(S)                |              | L1         | RLQZ271M     | COIL                      | $\Delta$ (E, EB, EO, GN) |
| D401, 402 | MA167        | DIODE                   |              | L501-504   | SLQY18G-10   | COIL                      |                          |
| D403, 404 | MA4036MTA    | DIODE                   |              | L551       | ELEPK2R2MA   | COIL                      |                          |
| D405, 406 | MA165        | DIODE                   |              | L801       | ELEXT101KA9  | COIL                      |                          |
| D451      | MA165        | DIODE                   |              |            |              | TRANSFORMER(S)            |                          |
| D452      | MA4056MTA    | DIODE                   | $\Delta$     |            |              |                           |                          |
| D453      | MA29WA       | DIODE                   |              | T1         | RTP7K5E001-W | POWER TRANSFORMER         | $\Delta$ (E, EG, EO, EP) |
| D501, 502 | MA165        | DIODE                   |              |            |              |                           |                          |

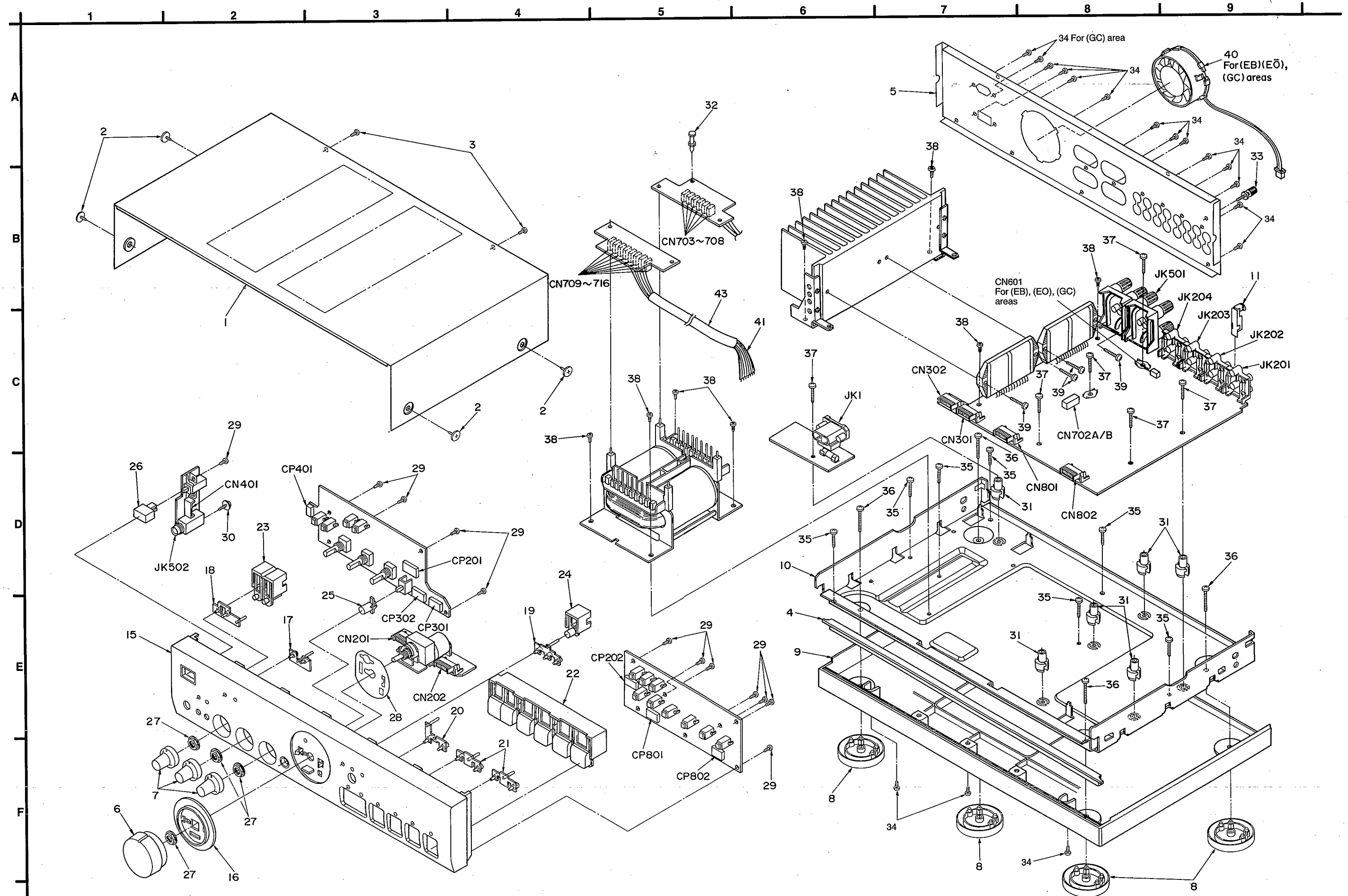
Note: The "(SF)" mark denotes the standard part.  
 \*[VRD]: indicates parts that are supplied by Video Recorder Division.

| Ref. No. | Part No.     | Part Name & Description | Remarks         |
|----------|--------------|-------------------------|-----------------|
|          |              | CABINET PARTS           |                 |
| 1        | RKM0114A-K   | CABINET                 | (E, EG, EP, GN) |
| 1        | RKM0114B-K   | CABINET                 | (EB, EO, GC)    |
| 2        | SNE2129-1    | SCREW                   |                 |
| 3        | XTBS3+8JFZ1  | SCREW                   |                 |
| 4        | RGKO550-T    | ORNAMENT RUBBER         |                 |
| 5        | RGR0170E-A1  | REAR PANEL              | (EB)            |
| 5        | RGR0170J-A1  | REAR PANEL              | (EO)            |
| 5        | RGR0170F-A   | REAR PANEL              | (GC)            |
| 5        | RGR0170D-C1  | REAR PANEL              | (GN)            |
| 5        | RGR0170D-A1  | REAR PANEL              | (E, EG, EP)     |
| 6        | RGW0176-K    | KNOB, VOLUME ✓          |                 |
| 7        | RGW0177-K    | KNOB, TONE ✓            |                 |
| 8        | RKA0053-A    | FOOT                    |                 |
| 9        | RKU0049-K    | CHASSIS BASE            |                 |
| 10       | RMK0202      | BOTTOM CHASSIS          |                 |
| 11       | RSC0105      | SHIELD PLATE (PHONO)    |                 |
| 15       | RFKGA600E-K  | FRONT PANEL ASS'Y       |                 |
| 16       | RGK0549-S    | ORNAMENT RING           |                 |
| 17       | RGL0184-Q    | PANEL LIGHT (A)         |                 |
| 18       | RGL0185-Q    | PANEL LIGHT (B)         |                 |
| 19       | RGL0186-Q    | PANEL LIGHT (C)         |                 |
| 20       | RGL0187-Q    | PANEL LIGHT (D)         |                 |
| 21       | RGL0188-Q    | PANEL LIGHT (E)         |                 |
| 22       | RGU0886-K    | BUTTON, SELECT etc. ✓   |                 |
| 23       | RGU0887-K    | BUTTON, SPEAKER ✓       |                 |
| 24       | RGU0888-K    | BUTTON, TAPE MONITOR ✓  |                 |
| 25       | RGU0889-K    | BUTTON, TONE ✓          |                 |
| 26       | RGU0890-K    | BUTTON, POWER ✓         |                 |
| 27       | RHN90001     | NUT                     |                 |
| 28       | RSC0323      | SHIELD PLATE (VOLUME)   |                 |
| 29       | XTBS26+8J    | SCREW                   |                 |
| 30       | XTW3+10T     | SCREW                   |                 |
| 31       | SHE187-2     | P. C. B. SUPPORT        |                 |
| 32       | SHR8006      | SPACER                  |                 |
| 33       | SNE2123      | GND SCREW               |                 |
| 34       | XTBS3+8JFZ1  | SCREW                   |                 |
| 35       | XTB3+10G     | SCREW                   |                 |
| 36       | XTB3+16CFN   | SCREW                   |                 |
| 37       | XTB3+20JFZ   | SCREW                   |                 |
| 38       | XTB3+8JFZ    | SCREW                   |                 |
| 39       | XTW3+15T     | SCREW                   |                 |
| 40       | REM0040      | FAN MOTOR               | (EB, EO, GC)    |
| 41       | RWJ3907280QQ | FLAT CABLE (7P)         |                 |
| 43       | RWZ080UFW240 | TUBE                    |                 |

| Ref. No. | Part No.     | Part Name & Description | Remarks                 |
|----------|--------------|-------------------------|-------------------------|
|          |              | PACKING MATERIALS       |                         |
| P1       | RPG1571      | PACKING CASE            | (E, EG, EO, EP, GC, GN) |
| P1       | RPG1575      | PACKING CASE            | (EB)                    |
| P2       | RPN0684      | PAD                     |                         |
| P3       | RPQ0164      | ACCESSORY PAD           |                         |
| P4       | XZB50X65A0Z  | PROTECTION COVER        |                         |
| P5       | XZB24X34C04  | PROTECTION COVER        |                         |
| P6       | RPH0032      | MIRROR SHEET            | (EB, GN)                |
|          |              | ACCESSORIES             |                         |
| A1       | RJAD019-2K   | AC POWER SUPPLY CORD    | △ (E, EG, EO, EP, GC)   |
| A1       | VJA0733      | AC POWER SUPPLY CORD    | △ (EB) (SF) [VRD]       |
| A1       | RJA0036-K    | AC POWER SUPPLY CORD    | △ (GN)                  |
| A2       | RQA0013      | WARRANTY CARD           | (E, EB, EG, EO)         |
| A2       | RQX7433ZA    | WARRANTY CARD           | (GN)                    |
| A3       | RQCB0169     | SERVICE CENTER LIST     | (E, EB, EG, EO, GC, GN) |
| A4       | RFKSJA600E-K | INSTRUCTIONS MANUAL     | (E)                     |
| A4       | RFKSJA600EGK | INSTRUCTIONS MANUAL     | (EG)                    |
| A4       | RFKSJA600EOK | INSTRUCTIONS MANUAL     | (EO)                    |
| A4       | RFKSJA600EPK | INSTRUCTIONS MANUAL     | (EP)                    |
| A4       | RFKSJA600GCK | INSTRUCTIONS MANUAL     | (GC)                    |
| A4       | RQT1966-B    | INSTRUCTIONS MANUAL     | (EB, GN)                |
| A5       | RQCA0253     | BLOCK DIAGRAM           | (EP)                    |
| A6       | RQLA0134     | CAUTION LABEL           | (GC)                    |
| A7       | SJP5213-2    | POWER PLUG ADAPTOR      | △ (GC)                  |

| Ref. No.   | Part No.     | Part Name & Description | Remarks        | Ref. No.   | Part No.   | Part Name & Description      | Remarks                   |
|------------|--------------|-------------------------|----------------|------------|------------|------------------------------|---------------------------|
| T1         | RTP7K5B001-W | POWER TRANSFORMER       | △ (EB, GC, GN) |            |            |                              |                           |
|            |              | OSCILLATOR(S)           |                | RL201-204  | RSY0014M-0 | RELAY                        |                           |
|            |              |                         |                | RL501, 502 | RSY0013M-0 | RELAY                        | △                         |
|            |              |                         |                | RL503      | RSY0014M-0 | RELAY                        |                           |
| X801       | EFOGC4004TA  | OSCILLATOR(4MHz)        |                | RL701, 702 | RSY0012M-0 | RELAY                        | △                         |
|            |              | FUSE(S)                 |                |            |            | JACK(S)                      |                           |
| F1         | XBA2C20TBO   | FUSE, 250V T2A          | △              | JK1        | SJS9236    | AC INLET                     | △ (E, EB, EG, EO, EP, GC) |
| F2         | XBA2C40TBO   | FUSE, 250V T4A          | △ (GC)         | JK1        | SJSD16     | AC INLET                     | △ (GN)                    |
|            |              | SWITCH(ES)              |                | JK201      | SJF3069N   | INPUT TERMINAL (PHONO/TUNER) |                           |
|            |              |                         |                | JK202      | SJF3069N   | INPUT TERMINAL (CD/AUX)      |                           |
| S1         | SSH1238      | SW, POWER               |                | JK203      | SJF3069N   | IN/OUTPUT TERMINAL (TAPE 2)  |                           |
| S2         | ESD26200A    | SW, VOLTAGE SELECTOR    | △ (GC)         | JK204      | SJF3069N   | IN/OUTPUT TERMINAL (TAPE 1)  |                           |
| S204       | ESB68046     | SW, TONE ON/DEFEAT      |                | JK501      | RJH4801M-1 | SPEAKER TERMINAL             | (E, EG, EO, EP, GC, GN)   |
| S801       | EVQ21405R    | SW, TAPE-MONITOR        |                | JK501      | RJH4801M-2 | SPEAKER TERMINAL             | (EB)                      |
| S802       | EVQ21405R    | SW, TAPE 1              |                | JK502      | RJJ63TA01  | HEADPHONES JACK              |                           |
| S803       | EVQ21405R    | SW, TAPE 2              |                |            |            |                              |                           |
| S804       | EVQ21405R    | SW, AUX                 |                |            |            |                              |                           |
| S805       | EVQ21405R    | SW, CD                  |                |            |            |                              |                           |
| S806       | EVQ21405R    | SW, TUNER               |                |            |            |                              |                           |
| S807       | EVQ21405R    | SW, PHONO               |                |            |            |                              |                           |
| S810, 811  | EVQ21405R    | SW, SPEAKERS A/B        |                |            |            |                              |                           |
|            |              | CONNECTOR(S)            |                |            |            |                              |                           |
| CN201      | RJU003K010M1 | SOCKET (10P)            |                |            |            |                              |                           |
| CN202      | RJU003K008M1 | SOCKET (8P)             |                |            |            |                              |                           |
| CN301, 302 | RJU003K008M1 | SOCKET (8P)             |                |            |            |                              |                           |
| CN401      | RJU057W007   | SOCKET (7P)             |                |            |            |                              |                           |
| CN601      | SJT3213      | CONNECTOR (2P)          | (EB, EO, GC)   |            |            |                              |                           |
| CN703-716  | RJS1A1101T1  | SOCKET (1P)             |                |            |            |                              |                           |
| CN801, 802 | RJU003K008M1 | SOCKET (8P)             |                |            |            |                              |                           |
| CN702A     | RJS1A6604    | SOCKET (4P)             |                |            |            |                              |                           |
| CN702B     | RJS1A6603    | SOCKET (3P)             |                |            |            |                              |                           |
| CP201      | RJT003K010-1 | CONNECTOR (10P)         |                |            |            |                              |                           |
| CP202      | RJT003K008-1 | CONNECTOR (8P)          |                |            |            |                              |                           |
| CP301, 302 | RJT003K008-1 | CONNECTOR (8P)          |                |            |            |                              |                           |
| CP401      | RJT057W007-1 | CONNECTOR (7P)          |                |            |            |                              |                           |
| CP801, 802 | RJT003K008-1 | CONNECTOR (8P)          |                |            |            |                              |                           |
|            |              | EARTH TERMINAL(S)       |                |            |            |                              |                           |
| E501, 701  | SNE1004-1    | GND PLATE               |                |            |            |                              |                           |
|            |              | FUSE HOLDER(S)          |                |            |            |                              |                           |
| FC1, 2     | EYF52BC      | FUSE HOLDER             |                |            |            |                              |                           |
| FC3, 4     | SJT388       | FUSE HOLDER             | (GC)           |            |            |                              |                           |
|            |              | RELAY(S)                |                |            |            |                              |                           |

# CABINET PARTS LOCATION



Notes : \* Capacity values are in microfarads (uF) unless specified otherwise, P=Pico-farads (pF) F=Farads (F)  
 \* Resistance values are in ohms, unless specified otherwise, 1K=1,000(OHM) , 1M=1,000k(OHM)

| Ref. No.  | Part No.     | Values & Remarks | Ref. No.  | Part No.     | Values & Remarks     | Ref. No.   | Part No.     | Values & Remarks |
|-----------|--------------|------------------|-----------|--------------|----------------------|------------|--------------|------------------|
| RESISTORS |              |                  |           |              |                      |            |              |                  |
| R101, 102 | ERDS2TJ102   | 1/4W 1K          | R521, 522 | ERDS1FVJ100T | 1/2W 10 Δ            | R831       | ERDS2TJ104   | 1/4W 100K        |
| R105, 106 | ERDS2TJ224T  | 1/4W 220K        | R527      | ERDS2TJ223   | 1/4W 22K             | R832       | ERDS2TJ102   | 1/4W 1K          |
| R109, 110 | ERDS2TJ101   | 1/4W 100         | R528      | ERDS2TJ824   | 1/4W 820K            | R833       | ERDS2TJ103   | 1/4W 10K         |
| R113, 114 | ERDS2TJ563   | 1/4W 56K         | R529      | ERDS2TJ124T  | 1/4W 120K            | R834       | ERDS2TJ561   | 1/4W 560         |
| R117, 118 | ERDS2TJ271   | 1/4W 270         | R530      | ERDS1FVJ272T | 1/2W 2.7K Δ          | R835       | ERDS2TJ102   | 1/4W 1K          |
| R123, 124 | ERDS2TJ680T  | 1/4W 68          | R531, 532 | ERDS1FVJ100T | 1/2W 10 Δ            | R837, 838  | ERDS2TJ102   | 1/4W 1K          |
| R125, 126 | ERDS2TJ184T  | 1/4W 180K        | R533, 534 | ERDS2TJ182   | 1/4W 1.8K            | R839, 840  | ERDS2TJ682T  | 1/4W 6.8K        |
| R127, 128 | ERDS2TJ123   | 1/4W 12K         | R535      | ERDS2TJ473   | 1/4W 47K             | R843       | ERDS2TJ103   | 1/4W 10K         |
| R129, 130 | ERDS2TJ563   | 1/4W 56K         | R550, 551 | ERDS2TJ222   | 1/4W 2.2K            | R845       | ERDS2TJ334   | 1/4W 330K        |
| R131, 132 | ERDS2TJ102   | 1/4W 1K          | R555-558  | ERG1SJ561E   | 1W 560               | R852, 853  | ERDS2TJ103   | 1/4W 10K         |
| R201-206  | ERDAS3G102T  | 1/4W 1K          | R559, 560 | ERG1SJ102E   | 1W 1K                | R854       | ERDS2TJ471   | 1/4W 470         |
| R207, 208 | ERDS2TJ102   | 1/4W 1K          | R561, 562 | ERG1SJ151E   | 1W 150               | R860-862   | ERDS2TJ104   | 1/4W 100K        |
| R209, 210 | ERDAS3G102T  | 1/4W 1K          | R563, 564 | ERG1SJ181E   | 1W 180               | R864       | ERDS2TJ223   | 1/4W 22K         |
| R211, 212 | ERDS2TJ102   | 1/4W 1K          | R565-570  | ERDS2TJ223   | 1/4W 22K             | CAPACITORS |              |                  |
| R213, 214 | ERDAS3G102T  | 1/4W 1K          | R571, 572 | ERDS2TJ470   | 1/4W 47              | C103, 104  | ECBT1H181KB5 | 50V 180P         |
| R215, 216 | ERDLS2VJ332T | 1/4W 3.3K Δ      | R604      | ERDS2TJ221   | 1/4W 220             | C107, 108  | ECEA1CKA330B | 16V 330          |
| R301, 302 | ERDAS3G561   | 1/4W 560         | R611-614  | ERDS2TJ223   | 1/4W 22K EB, EO, GC  | C109, 110  | ECBT1H391KB5 | 50V 390P         |
| R303, 304 | ERDS2TJ104   | 1/4W 100K        | R615-618  | ERDS2TJ103   | 1/4W 10K EB, EO, GC  | C113, 114  | ECQB1H223JF3 | 50V 0.022U       |
| R305, 306 | ERDS2TJ224T  | 1/4W 220K        | R619      | ERDS2TJ151   | 1/4W 150 EB, EO, GC  | C115, 116  | ECQB1H562JF3 | 50V 5600P        |
| R307, 308 | ERDS2TJ392T  | 1/4W 3.9K        | R620      | ERDS2TJ153   | 1/4W 15K EB, EO, GC  | C117, 118  | ECEA1HKA010B | 50V 1U           |
| R309, 310 | ERDS2TJ223   | 1/4W 22K         | R621, 622 | ERDS2TJ223   | 1/4W 22K EB, EO, GC  | C119, 120  | ECQB1H472JF3 | 50V 4700P        |
| R311, 312 | ERDS2TJ102   | 1/4W 1K          | R624      | ERDS2TJ332   | 1/4W 3.3K EB, EO, GC | C121, 122  | ECBT1C103NS5 | 16V 0.01U        |
| R313, 314 | ERDS2TJ392T  | 1/4W 3.9K        | R625      | ERDS2TJ223   | 1/4W 22K EB, EO, GC  | C123, 124  | ECEA1HKA330B | 50V 3.3U         |
| R315, 316 | ERDS2TJ223   | 1/4W 22K         | R626      | ERDS2TJ103   | 1/4W 10K EB, EO, GC  | C201-214   | ECKT1H101KB  | 50V 100P         |
| R317, 318 | ERDS2TJ392T  | 1/4W 3.9K        | R707, 708 | ERDAF2VJ6R8T | 1/4W 6.8 Δ           | C301, 302  | ECA1HPXS3R3B | 50V 3.3U         |
| R319, 320 | ERDS2TJ183T  | 1/4W 18K         | R709, 710 | ERDAF2VJ470T | 1/4W 47 Δ            | C303, 304  | ECCR1H101K5  | 50V 100P         |
| R401, 402 | ERDAS3G122   | 1/4W 1.2K        | R711      | ERDS2TJ222   | 1/4W 2.2K            | C305, 306  | ECBT1H820KB5 | 50V 82P          |
| R403, 404 | ERDS2TJ154   | 1/4W 150K        | R713      | ERDS2TJ223   | 1/4W 22K             | C307, 308  | ECA1HPXS4R7B | 50V 4.7U         |
| R405, 406 | ERDAS3G102T  | 1/4W 1K          | R714      | ERDS2TJ222   | 1/4W 2.2K            | C309, 310  | ECBT1H390J5  | 50V 39P          |
| R407, 408 | ERDAS3G154T  | 1/4W 150K        | R751, 752 | ERDS1FVJ471T | 1/2W 470 Δ           | C311, 312  | ECA1CPXS100B | 16V 10U          |
| R409, 410 | ERDS2TJ391   | 1/4W 390         | R753      | ERDS1FVJ561T | 1/2W 560 Δ           | C313, 314  | ECQV1H823JM3 | 50V 0.082U       |
| R411, 412 | ERDAF2VJ470T | 1/4W 47 Δ        | R754      | ERDS1FVJ221T | 1/2W 220 Δ           | C315, 316  | ECQB1H153JF3 | 50V 0.015U       |
| R437      | ERDS2TJ473   | 1/4W 47K         | R755-757  | ERDS1FVJ271T | 1/2W 270 Δ           | C317, 318  | ECQB1H183JF3 | 50V 0.018U       |
| R457      | ERDAS3G153T  | 1/4W 15K         | R801, 802 | ERDS2TJ331   | 1/4W 330             | C319, 320  | ECQB1H222JF3 | 50V 2200P        |
| R459, 460 | ERDAF2VJ101T | 1/4W 100 Δ       | R803      | ERDS2TJ390   | 1/4W 39              | C321, 322  | ECBT1E223ZF  | 25V 0.022U       |
| R461-464  | ERDS2TJ333   | 1/4W 33K         | R804      | ERDS2TJ331   | 1/4W 330             | C323, 324  | ECBT1H121KB5 | 50V 120P         |
| R465-468  | ERDAF2VJ101T | 1/4W 100 Δ       | R810      | ERDS2TJ102   | 1/4W 1K              | C401, 402  | ECEA1HB24R7B | 50V 4.7U         |
| R469      | ERDAS3G103T  | 1/4W 10K         | R811      | ERDS2TJ103   | 1/4W 10K             | C403, 404  | ECCR1H271K5  | 50V 270P         |
| R470      | ERDAS3G102T  | 1/4W 1K          | R812      | ERDS2TJ102   | 1/4W 1K              | C405, 406  | ECA1CPXS470B | 16V 47U          |
| R471, 472 | ERDS2TJ272T  | 1/4W 2.7K        | R813-817  | ERDS2TJ103   | 1/4W 10K             | C407, 408  | ECBT1H820KB5 | 50V 82P          |
| R501, 502 | ERDS2TJ362T  | 1/4W 3.6K        | R818      | ERDS2TJ821   | 1/4W 820             | C409, 410  | ECCR2H100K5  | 500V 10P         |
| R503, 504 | ERDAF2VJ121T | 1/4W 120 Δ       | R819      | ERDS2TJ102   | 1/4W 1K              | C413, 414  | ECCR2H070D5  | 500V 7P          |
| R505, 506 | ERDS2TJ392T  | 1/4W 3.9K        | R820      | ERDS2TJ122   | 1/4W 1.2K            | C415, 416  | ECKT1H221KB  | 50V 220P         |
| R507, 508 | ERDAF2VJ121T | 1/4W 120 Δ       | R821      | ERDS2TJ152   | 1/4W 1.5K            | C426       | ECBT1H102KB5 | 50V 1000P        |
| R513-516  | ERDAF2VJ100T | 1/4W 10 Δ        | R822      | ERDS2TJ182   | 1/4W 1.8K            | C427       | ECBT1E223ZF  | 25V 0.022U       |
| R519, 520 | ERDS1FVJ6R8T | 1/2W 6.8 Δ       | R823      | ERDS2TJ222   | 1/4W 2.2K            | C428       | ECKR1H103ZF5 | 50V 0.01U        |
|           |              |                  | R826, 827 | ERDS2TJ103   | 1/4W 10K             | C451, 452  | ECKR1H333ZF5 | 50V 0.033U       |
|           |              |                  | R828, 829 | ERDS2TJ102   | 1/4W 1K              |            |              |                  |
|           |              |                  | R830      | ERDS2TJ223   | 1/4W 22K             |            |              |                  |

PACKAGING

1495

| Ref. No.  | Part No.     | Values & Remarks         |
|-----------|--------------|--------------------------|
| C453-456  | ECCV2H680K   | 500V 68P                 |
| C457-460  | ECEA1HKA3R3B | 50V 3.3U                 |
| C461, 462 | ECKT1H122KB  | 50V 1200P                |
| C501-504  | ECA0JPXS101B | 6.3V 100U                |
| C505, 506 | ECQV1H473JM3 | 50V 0.047U               |
| C507      | ECEA1CKA101B | 16V 100U                 |
| C508      | ECA1HM470B   | 50V 47U                  |
| C509      | ECEA1HN100SB | 50V 10U                  |
| C511, 512 | ECBT1H180J5  | 50V 18P                  |
| C513-518  | ECQV1H473JM3 | 50V 0.047U               |
| C519-522  | ECQB1H393JF3 | 50V 0.039U               |
| C523, 524 | ECBT1H102KB5 | 50V 1000P                |
| C525, 526 | ECQB1H152JF3 | 50V 1500P                |
| C527, 528 | ECBT1H181KB5 | 50V 180P                 |
| C531, 532 | ECBT1C332KR5 | 16V 3300P                |
| C602      | ECEA1CKA100B | 16V 10U EB, EO, GC       |
| C604      | ECEA1HKA010B | 50V 1U EB, EO, GC        |
| C605      | ECEA0JKA331Q | 6.3V 330U EB, EO, GC     |
| C701, 702 | ECES1H822VJG | 50V 8200U Δ              |
| C703, 704 | ECQV1103JN3  | 100V 0.01U               |
| C705      | ECQV1H104JM3 | 50V 0.1U                 |
| C707, 708 | ECA1JPXH560B | 63V 56U                  |
| C709, 710 | ECQE2334KF3  | 250V 0.33U E, EG, EP, GN |
| C711      | ECQE2104KF3  | 250V 0.1U                |
| C712      | ECBT1C103NS5 | 16V 0.01U                |
| C713      | ECQV1H104JM3 | 50V 0.1U                 |
| C714      | ECA1CM471B   | 16V 470U                 |
| C715      | ECEA1HKA010B | 50V 1U                   |
| C716      | ECA1CM102B   | 16V 1000U Δ              |
| C751, 752 | ECA1EPXS470B | 25V 47U                  |
| C801-803  | ECBT1C103NS5 | 16V 0.01U                |
| C804      | ECEA0J102    | 6.3V 1000U               |
| C805      | ECEA1HKA47B  | 50V 0.47U                |
| C806      | ECEA1HKA2R2B | 50V 2.2U                 |
| C807      | ECBT1H102KB5 | 50V 1000P                |
| C808      | ECEA0JKA101B | 6.3V 100U                |
| C809      | ECBT1C103NS5 | 16V 0.01U                |
| C810      | ECEA1AKA470B | 10V 47U                  |
| C811      | ECBT1H101KB5 | 50V 100P                 |
| C812, 813 | ECKR1H103ZF5 | 50V 0.01U                |
| C814, 815 | ECA1HPXS4R7B | 50V 4.7U                 |
| C820      | ECQV1H224JM3 | 50V 0.22U                |

